



CMV

Sharper Finish



Model IFC3600

Ironer / Folder / Crossfolder

The most versatile combination Ironer/Folder available

Features - IFC™

*120" (3m) ironing width. Optional 132" (3.3m) and 136" (3.4m) width available. 36" (915 mm) diameter heated cylinder, and the Intelatrol® is standard. 20" (508 mm); 24" (610 mm); and 30" (762 mm) models are also available.

*Dries, irons, primary folds, and crossfolds. Optional stacker and conveyor will soon be available.

*Left or Right discharge. Front or rear discharge for items not crossfolded.

*Made by "The Ironer People"™. This is all we do and we do it well. You cannot find an ironer in this class that is less complicated than the IFC™. We work hard to simplify our design so you have less to worry about. The IFC™ lets you do more with less.

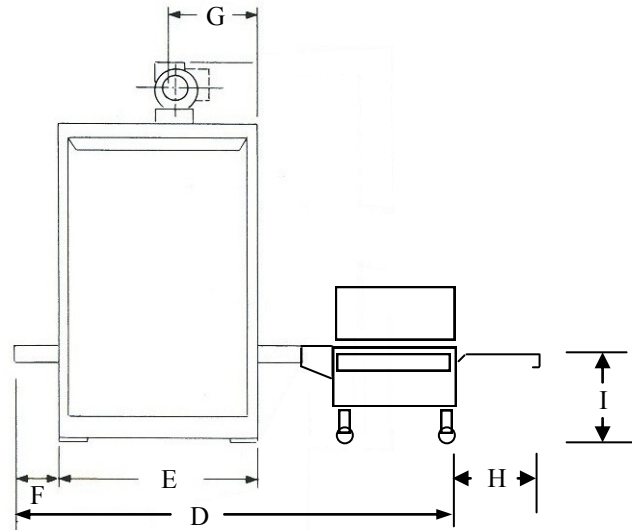
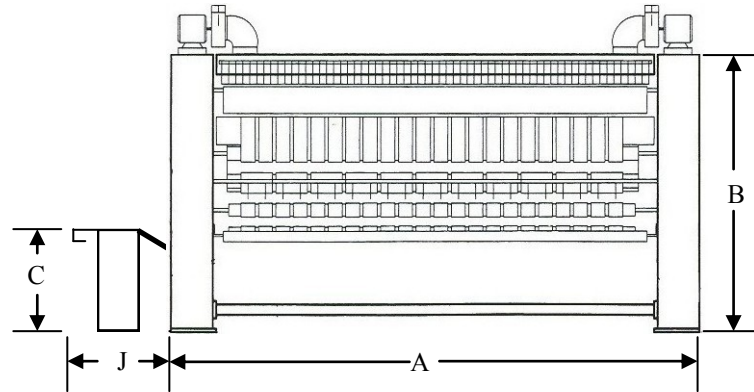
*The IFC™ requires minimal floor space, but is very versatile unlike the competition.

*Delivers beautifully ironed linen in any material: cotton, blended polyester/cotton, or all synthetics. Accurate temperature is maintained by a snap action thermostat.

*The IFC™ can be heated by gas, steam, or electricity.

*Available from most electrical specifications. Compressed air required.

Dimensions



IFC 3600	
A	191" (4851 mm)
B	72" (1829 mm)
C	29 ½" (750 mm)
D	109" (2769 mm)
E	58 ½" (1486 mm)

IFC 3600	
F	14" (356 mm)
G	17 ½" (445 mm)
H	22" (559 mm)
I	29 ½" (750 mm)
J	29" (737 mm)

► © 2008 by CMV Sharper Finish, Inc. Form CMV0407. In view of CMV's policy of providing the best products possible, CMV reserves the right to change specifications and appearance without notice. Contact the sales department for exact specifications, dimensions, and product approvals. CMV manufactures over 100 different ironer models that are sold throughout the world.



CMV

Sharper Finish, Inc.

4500 Augusta Boulevard
Chicago, Illinois 60651-3399 U.S.A.

Telephone: 773-276-4800

Facsimile: 773-276-6878

Email: sales@cmvsharperfinish.com

www.ironerpeople.com

Distributed by:

Toll Free U.S.A. and Canada: 800-247-IRON (4766)